

ACT1S35PS-P (E)

Line Voltage: 220~240Vac 50/60Hz
 Safety Voltage: 187~264Vac 50/60Hz
 EEI=A2
 High Power Factor, Low ATHD
 Preheat Starting
 Auto Reset after Lamp Replacement
 Operating Frequency: 40~50 kHz

RoHS Compliance
 Lamp switching ≥ 50000 cycles
 End of Lamp Life Protection
 Abnormal Protection
 U-out=280V
 Tc(max): 65°C
 Ta(max): 50°C

Lamp Type	Qty of Lamps	Mini. Start Temp (°C)	Input Current (A)	Input Wattage (W)	Power Factor	ATHD (%)	CF	Ballast Factor
T5-E 35W	1	-20@187V	0.18	39	0.99	≤ 10	≤ 1.70	0.95
T5-E 28W	1	-20@187V	0.14	31	0.99	≤ 10	≤ 1.70	0.95
T5-E 21W	1	-20@187V	0.10	23	0.99	≤ 10	≤ 1.70	0.95
T5-E 14W	1	-20@187V	0.08	17	0.98	≤ 10	≤ 1.70	0.95

Application and Performance Specification Information Subject to Change Without Notification

Standards

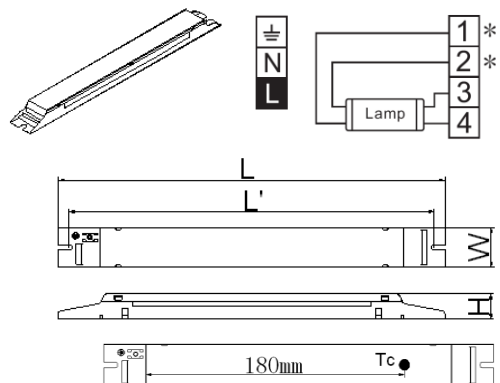
IEC61347-1, IEC61347-2-3
 IEC60929
 IEC61000-3-2
 EN55015 (CISPR15)
 EN61547

Safety

No PCB's
 CE, CCC
 Sound Rated: A

Physical Parameters

Overall Length (L): 290 ± 1 mm
 Width (W): 30 ± 1 mm
 Height (H): 21 ± 1 mm
 Mounting Length (L'): 274 ± 1 mm
 Weight: 170g



Caution

Install in accordance with the national electrical code; Disconnect power before serving; Use single solid copper wire (cross section area is 0.5~1.0mm², stripped to 7.0~8.5mm) to connect ballast and lamp.

Warranty:

Arcata electronics Inc warrants that each electronic ballast will be free from defects in material or workmanship including replacement for 5 years from the date of manufacture when properly installed and under normal condition use.