



APPLICATION and PERFORMANCE SPECIFICATION

ACT2S54PSUNVS3

- Line Voltage:120-277V 50/60Hz
- Program Start
- Series Lamp Operation
- Active Power Factor Correction
- Lamp End of Life Protection

Lamp Type			Min. Start	Vin (V)	Iin (A)	Pin (W)	ATHD ≤%	PF ≥	CF ≤	BF	BEF	Position		Dimming Level	Relative light
Type	No.	Watts										S1	S2		
*F54T5/HO	2	54	50/10	120	1.07	128	10	0.98	1.7	1.00	0.78	on	on	High	100%
*F54T5/HO	2	54	50/10	277	0.44	122	10	0.98	1.7	1.00	0.82	on	on	High	100%
F54T5/HO/EA	2	49	50/10	120	0.99	118	10	0.98	1.7	1.00	0.84	on	on	High	100%
F54T5/HO/EA	2	49	50/10	277	0.41	112	10	0.98	1.7	1.00	0.89	on	on	High	100%
*F54T5/HO	2	54	50/10	120	0.53	64	10	0.98	1.7	0.40	0.62	off	on	Mid	40%
*F54T5/HO	2	54	50/10	277	0.22	62	10	0.98	1.7	0.40	0.64	off	on	Mid	40%
F54T5/HO/EA	2	49	50/10	120	0.49	59	10	0.98	1.7	0.40	0.67	off	on	Mid	40%
F54T5/HO/EA	2	49	50/10	277	0.2	56	10	0.98	1.7	0.40	0.71	off	on	Mid	40%
*F54T5/HO	2	54	50/10	120	0.24	29	10	0.98	1.7	0.10	0.35	on	off	Low	10%
*F54T5/HO	2	54	50/10	277	0.10	28	10	0.95	1.7	0.10	0.36	on	off	Low	10%
F54T5/HO/EA	2	49	50/10	120	0.22	27	10	0.95	1.7	0.10	0.37	on	off	Low	10%
F54T5/HO/EA	2	49	50/10	277	0.09	26	10	0.95	1.7	0.10	0.38	on	off	Low	10%

Note: the above data is tested at 60Hz. Application and Performance Specification Information Subject to Change without Notification.

Performance

- Meets ANSI Standard C82.11-2002
- Meets ANSI Standard C62.41-2002
- Meets FCC 18 Non CONSUMER Limits

Application

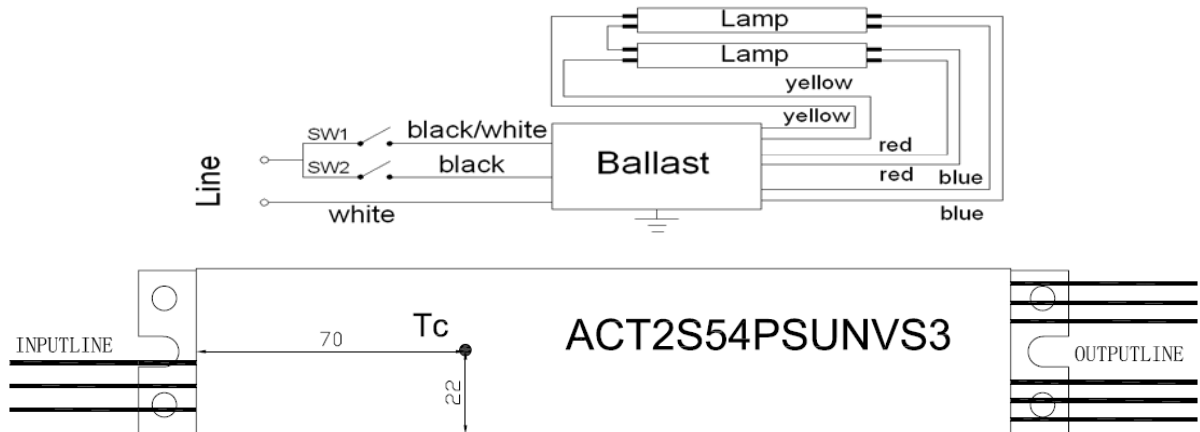
- Maximum Ambient Temperature: 131°F, 55°C
- Sound Rated: A
- Maximum case temperature Tc: 194°F, 90°C

Safety

- No PCB's, Type HL
- UL & cUL listed (Class P, Type 1 Outdoor)
- OCV600V
- No-load: 5 Watt

Physical Parameters

- Length * Width * Height 9.5" * 1.7" * 1.2"
- Mounting 8.9"
- White, Black, Black/white 25"(±1")
- Yellow 46"(±1")
- Red/ Blue 31"(±1")



Note: For one lamp application, cap both yellow leads insulating to 300 volts and connect red and blue leads to each side of one lamp.